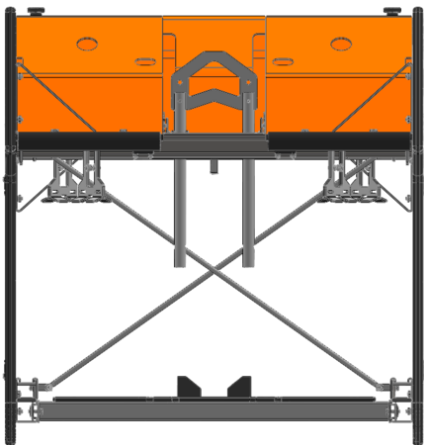


BLU C200

Chassis . . . Tougher & Smarter

Features

- Corrosive resistant materials
- Expandible
 - Brow Frame; Unistrut weldment
 - Skid Frame; 8.00" added height
- Floatation capacity up to 4000 cu in volume dense Syntactic foam
- Retractable Lift Eye position
- Maneuverable bottom cargo plates

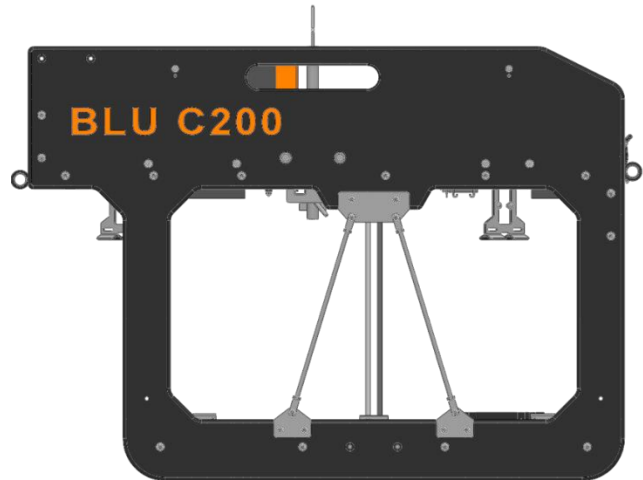


Dimensions

Length	46.6 inches	(118.4 cm)
Width	30.5 inches	(77.5 cm)
Height	32.0 inches	(81.3 cm)

Weight

119.2 lbs. (54.0 kg) in air (as shown)



Note:

Covers are not thermo/vac formed; an expensive process not advantageous economically toward continual low count production.

