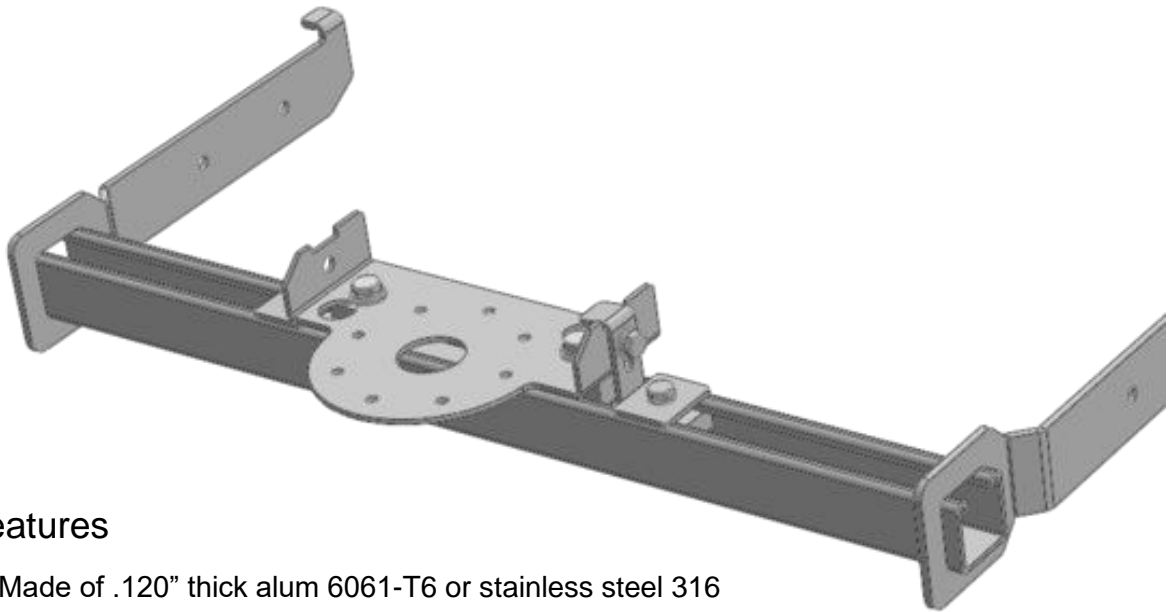


Quick Release . . . Tougher & Smarter



Features

- Made of .120" thick alum 6061-T6 or stainless steel 316
- 1/4" and 5/16" stainless steel 316 mounting fasteners
- For mounting Pan & Tilt device at or near center of Chassis and **beneath** the Floatation Pack (buoyancy)
- **Quick attach or removal** of device; loosen two 3/8 screws

Note

Heavy weight device or instrumentation should be installed **beneath** the Floatation Pack to prevent vehicle *rocking*. A motorized pan & tilt device (IPT) with sonar/scanner may weigh 15 to 25 lbs. in the water!

